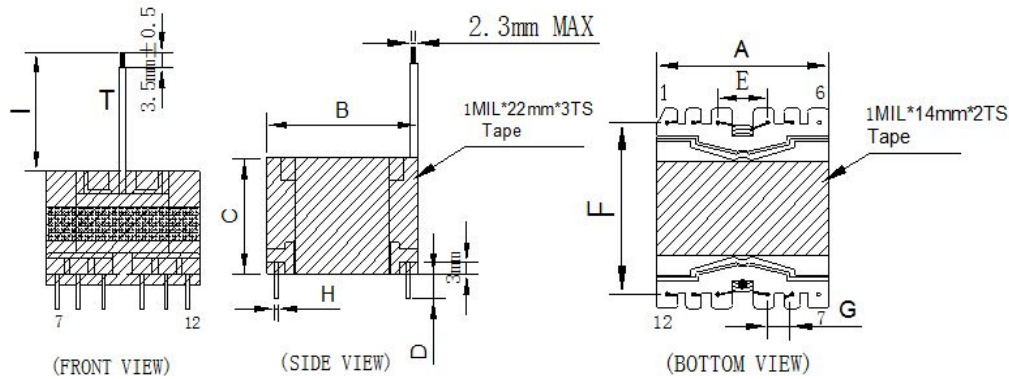


CUSTOMER TERMINAL	ROHS	Lead(Pb)-free
	YES	YES

1. Mechanical Dimensions

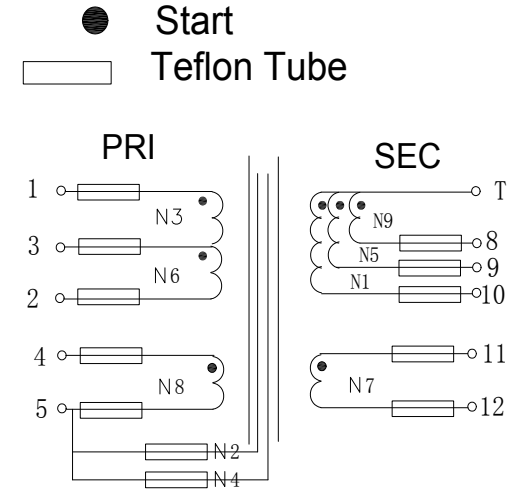


A	34.0	MAX
B	35.0	MAX
C	23.5	MAX
D	3.5	±0.3
E	7.4	±0.1
F	30.0	±0.1
G	5.0	±0.1
H	0.75	±0.1
I	40.0	±2.0

3. Material List

Core:FW44 PQ3220
 Bobbin:FWB3201-1(6+6PIN)
 Wire:2UEW TIW LITZ
 Copper foil:0.025t*8.0mm
 Operating Temperature: -30 to115 °C

2. Schematic Diagram



4. Electrical Specification

Inductance : L(1-2):1.6mH±5% 30KHZ , 1.0V
 Leakage Inductance : 12uH MAX 30KHZ , 1.0V
 DCR : (1-2)=0.57Ω MAX (8-T)=0.016Ω MAX
 Hi-Pot:P-S: AC 60Hz 4000V 2mA 3S
 S-CORE: AC 60Hz 4000V 1mA 3S

REV.	DATE	 Convention Placement	DRW.		Drawing Title:	Part No:
0	00/00		CHK.			
ROHS			www.ferriwo.com	APP.		Customer P/N